

OCT 20
RAP651A

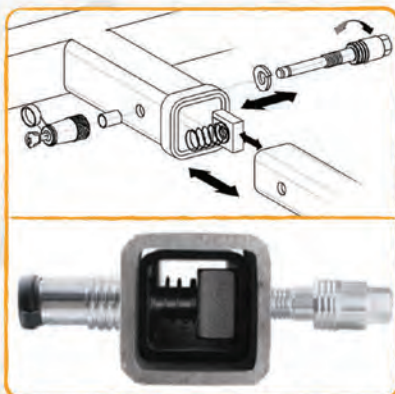
ANTI-RATTLE LOCKING HITCH PIN 10,000KG DOUBLE SHEAR RATED

Mister Hitches has the largest range of Anti-Rattle devices on the market. Designed to eliminate or reduce the movement of your hitch or hitch accessories in the vehicles towbar receiver, thereby muffling that annoying rattle that can occur when towing or carrying bikes or other hitch mounted accessories. Using our Anti-Rattle Device can make your trip more enjoyable. The Mister Hitches Anti-Rattle Hitch Lock is an effective theft deterrent and is simple to install.



FEATURES

- Smooth Locking action.
- Useable effective length of up to 70mm.
- Suitable for most hollow shanked Ball Mounts. Nut insert 37mm x 37mm. Sq.
- Not suitable for solid steel shanks.
- Unique "Push to Lock" lock without a key locking mechanism.
- Includes 2 keys and wrench.
- Standard 16mm (5/8") pin diameter.
- 10,000 kg Double Shear strength.
- Rubber dust key cover helps prevent in-gress of dust & dirt into lock.
- Hardened chrome finish giving superior corrosion protection.
- Attractive retail hang packaging.



Part Number MHARHP
Anti-Rattle Locking Hitch Pin
Barcode 0000006793272

*Manufacturers Names used for reference purposes only.



RUBBER
DUST COVER

UNIQUE
'PUSH TO LOCK'
MACHANISM

WRENCH

USEABLE EFFECTIVE
LENGTH UP TO 70MM