

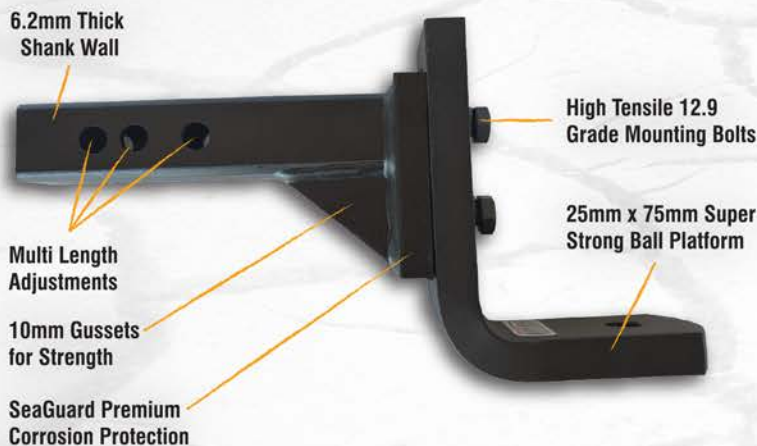
FEB 20  
RAP624A

## HEAVY DUTY 4T ADJUSTABLE BALL MOUNT

The Original & still the best. Designed and developed by MISTER HITCHES.

This popular hitch has now been improved to make it more versatile and stronger. 3 pin holes have been added to give greater length flexibility and suitability for a short shanked tow bar, eg. Ford Ranger. This hitch has a 25mm x 75mm ball platform and is one of only a few ball mounts which is suitable for the Stone Stomper. The hitch is fully reversible which gives you 12 mounting adjustments.

Dual 10mm gussets a 6.2mm thick shank wall & H.T. 12.9 grade mounting hardware make this one of the strongest & most versatile hitches on the market.



### Part Number MH-ABM-5XHD

Heavy Duty 4T Adjustable Ball Mount  
Barcode 0000006793692

G.T.W.: 4000kg, T.W.: 400kg.  
3 PIN HOLES TO GIVE LENGTHS: 266/305/331mm.  
12 ADJUSTABLE POSITIONS.  
DROP: 80-186mm, RISE: 50-160mm.  
6.2mm THICK WALLED STEEL SHANK, ROBOTIC WELDED FOR STRENGTH.  
DUAL 10mm GUSSETS.  
HIGH TENSILE 12.9 GRADE BOLTS.  
SEAGUARD MATTE BLACK POWDER COAT FINISH GIVES SUPERIOR CORROSION PROTECTION.  
COMPLIES TO THE TESTING REQUIREMENTS OF ADR & AUSTRALIAN STANDARDS WHERE APPLICABLE.

\*Pricing listed was correct at time of product bulletin preparation.  
Manufacturers Names used for reference purposes only.