

JUNE 19  
RAP575A

## MULTI-USE BALL MOUNT

This handy hitch is ideal for both towing and carrying your bike rack, spare tyre, cargo carriers or other receiver mounted accessories.

A 50mm top receiver accepts most receiver style bike racks & accessories. this hitch has a higher mounted top receiver than the previous MHSBM-1 model and allows for more space when using various types of tow couplings. 2 pin holes allow for greater adjustment. A 75mm x 25.4mm ball platform design gives a Gross Towing Capacity of 3.5t and Tongue Weight of 350kg.



### FEATURES

- G.T.W.: 3500kg T.W.: 350kg (combined max. Tongue Weight includes trailer & accessories).
- 2 PIN HOLES TO GIVE LENGTHS: 311/356mm.
- TOP RECEIVER CAPACITY: 160kg
- ADDED GUSSET FOR EXTRA STRENGTH.
- STRONGER 75mm x 25.4mm BALL PLATFORM.
- HIGHER TOP RECEIVER ALLOWS FOR BETTER FITMENT OF VARIOUS TOW COUPLING STYLES
- SEAGUARD MATTE BLACK POWDER COAT FINISH GIVES SUPERIOR CORROSION PROTECTION.
- TOP RECEIVER OPENING 2" X 2" I.D.
- TOP RECEIVER **NOT TO BE USED FOR TOWING.**
- DO NOT OVERLOAD.

**SEAGUARD**  
PREMIUM CORROSION PROTECTION

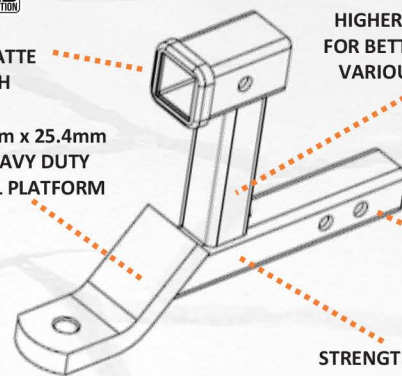
EXCLUSIVE  
SEAGUARD MATTE  
BLACK FINISH

75mm x 25.4mm  
HEAVY DUTY  
BALL PLATFORM

HIGHER TOP RECEIVER  
FOR BETTER FITMENT OF  
VARIOUS COUPLINGS

MULTI LENGTH  
ADJUSTMENTS

STRENGTHENING  
GUSSET



HIGHER TOWING CAPACITY, HIGH MOUNTED RECEIVER ALLOWING FOR MORE COUPLING SPACE AND ADDITIONAL PIN HOLE GIVING GREATER FITMENT APPLICATIONS



**Part Number MH-SBM-2**

Multi-Use Ball Joint

\*Pricing listed was correct at time of product bulletin preparation.  
Manufacturers Names used for reference purposes only.