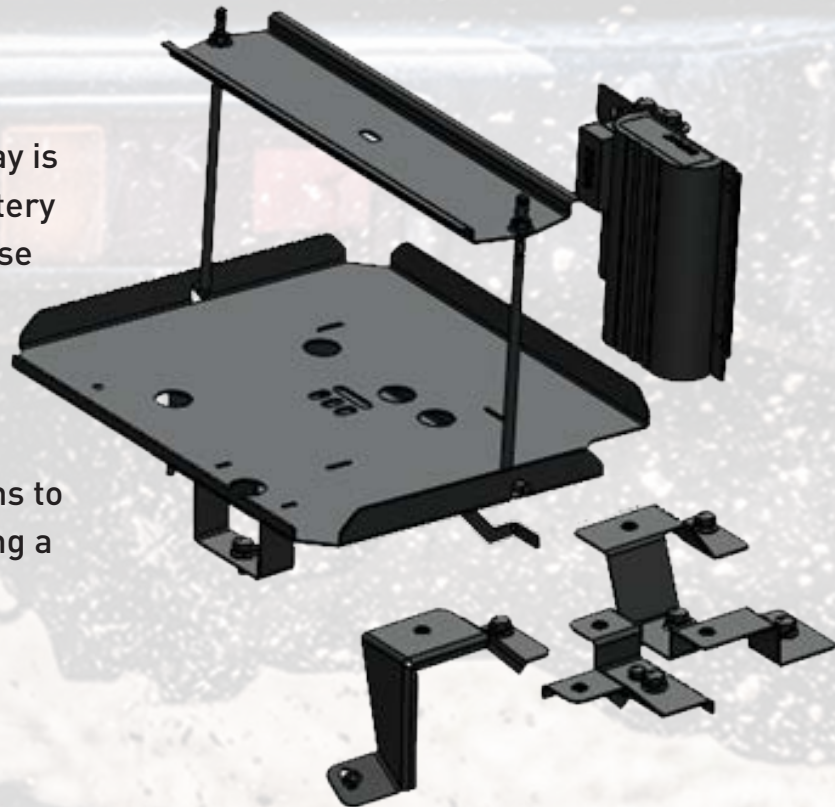


BATTERY TRAY

COMPATIBLE WITH MITSUBISHI TRITON MV 2023+

The new Roadsafe BT111-BLACK Battery tray is designed as a direct adding a secondary battery in the Mitsubishi Triton MV. Designed to house up to a N70 sized secondary battery whilst utilizing the factory mounting hardware and locations.

New design bracket with mounting provisions to suit fuse holders and DCDC charger, ensuring a neat and efficient dual battery set up.



2MM THICK MILD STEEL
BUILT TOUGH TO GO THE DISTANCE

COMPATIBLE WITH N70-SIZED BATTERIES
INCLUDES MOUNTING OPTIONS FOR DCDC CHARGER
SLEEK AND EFFICIENT DESIGN

PART NUMBER	BARCODE
-------------	---------

BT111-BLACK	9333189326724
-------------	---------------

*Manufacturers names and OE numbers included for reference purposes only.

ROADSAFE.COM.AU

A division of Specialist Wholesalers Pty, Ltd. **ABN 64 163 280 279**
VIC Ph: 03 8687 1700 | QLD Ph: 07 3737 7420 | Email: sales@roadsafe.com.au

