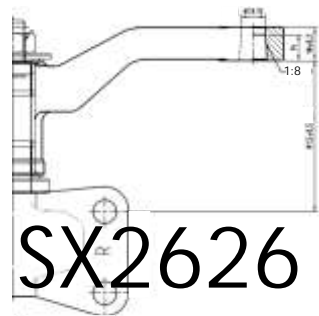
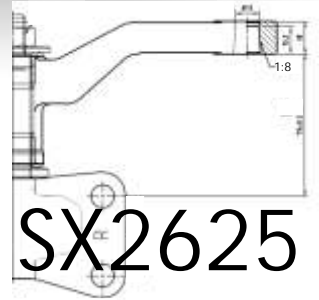


D22 Navara idler Arm

As with SX2625, the SX2626 suits for the D22 Navara 4WD. There is no discernible break in year or chassis number to determine which item is applicable. The main identifiable difference, is that the SX2626 has a deeper (4mm) recess in the idler arm for the nut. Compared to only 2.8mm on the SX2625.



SX2626

Part Number SX2626
Description Navara D22 Idler
Barcode 9319478593404



Available Now!